



DL Series

Submersible pumps for solid-laden wastewater.
Made in cast iron and stainless steel, with mechanical seal and versions with single-channel impeller and Vortex impeller.

Specifications

Delivery: up to 42 m³/h

Head: up to 22 m

Power supply: three-phase and single-phase 50 and 60 Hz

Power: 0.6 kW to 1.5 kW

Maximum immersion depth: 5 m

Temperature of pumped liquid: 0°C to +50°C (with pump totally immersed)

0°C to +25°C (with pump partially immersed)

Liquids with suspended solids: up to 45 mm (DL80-90-105 Minivortex-Vortex)

up to 50 mm (DL109-125, DLV100-115)

Protection: IP68

Length of cable: 5 m

Materials

Pump body: Cast iron

Suction flange, feet, shaft extension, motor casing, impeller: Stainless steel

Elastomers: NBR

Mechanical seal: Carbon/Ceramic/NBR

Discharge elbow: Cast iron

Applications

Pumping of sewage with suspended solids and filaments

Draining of septic tanks, sumps and wastewater discharge tanks

Emptying of drains and tanks in industrial and ecological applications

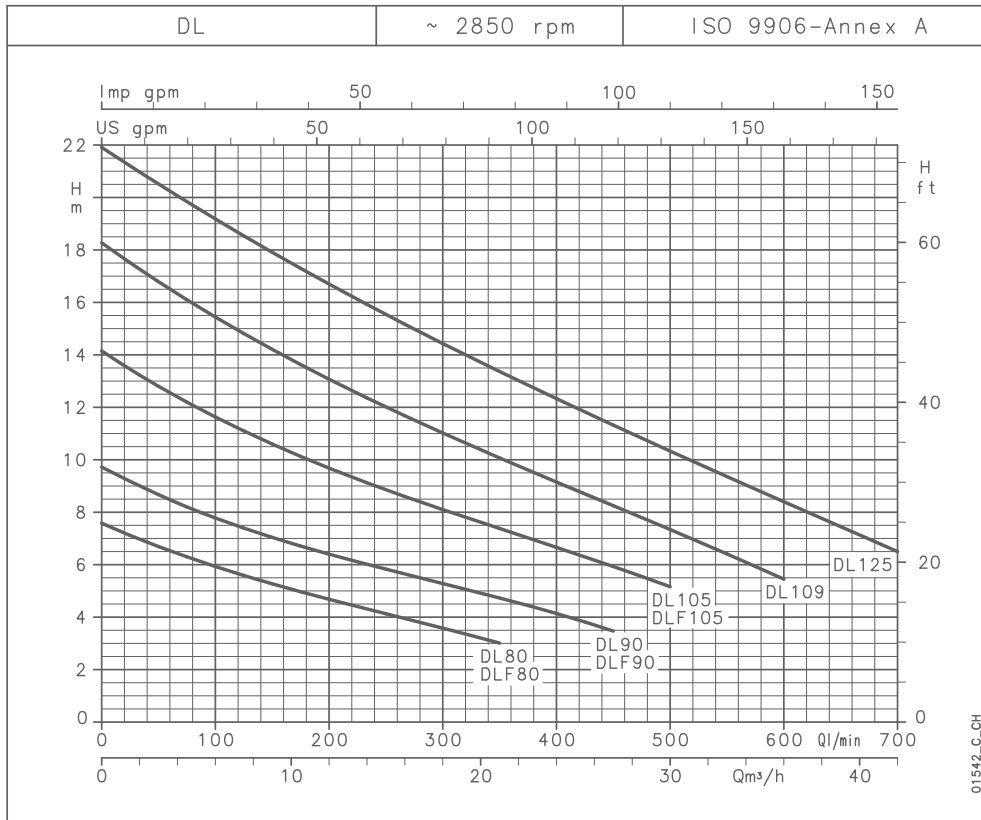
Emptying of tanks or reservoirs

Emergency draining in flooded areas

For a complete list of technical information, consult www.lowara.com

DL SERIES

Operating characteristics at 50 Hz, 2 poles



DL SERIES

Hydraulic performance table

PUMP TYPE	RATED POWER		Q = DELIVERY														
			l/min	0	100	150	200	250	300	350	400	450	500	600	700		
			m³/h	0	6	9	12	15	18	21	24	27	30	36	42		
	kW	HP	H = TOTAL HEAD METRES COLUMN OF WATER														
DL(M) 80-DLF(M) 80	0,6	0,8	7,6	5,9	5,3	4,7	4,1	3,6	3,0								
DL(M) 90-DLF(M) 90	0,6	0,8	9,7	7,8	7,0	6,4	5,8	5,3	4,7	4,1	3,5						
DL 105 - DLF105	1,1	1,5	14,1	11,6	10,6	9,7	8,9	8,1	7,4	6,7	5,9	5,2					
DL(M) 109	1,1	1,5	18,3	15,4	14,2	13,1	12,0	11,0	10,1	9,2	8,2	7,3	5,4				
DL 125	1,5	2	21,9	19,2	17,9	16,7	15,5	14,4	13,4	12,3	11,3	10,3	8,4	6,5			

These performances are valid for liquids with density $\rho = 1,0 \text{ kg/dm}^3$ and kinematic viscosity $\nu = 1 \text{ mm}^2/\text{s}$.

dl-2p50-en_b_th

Electrical data

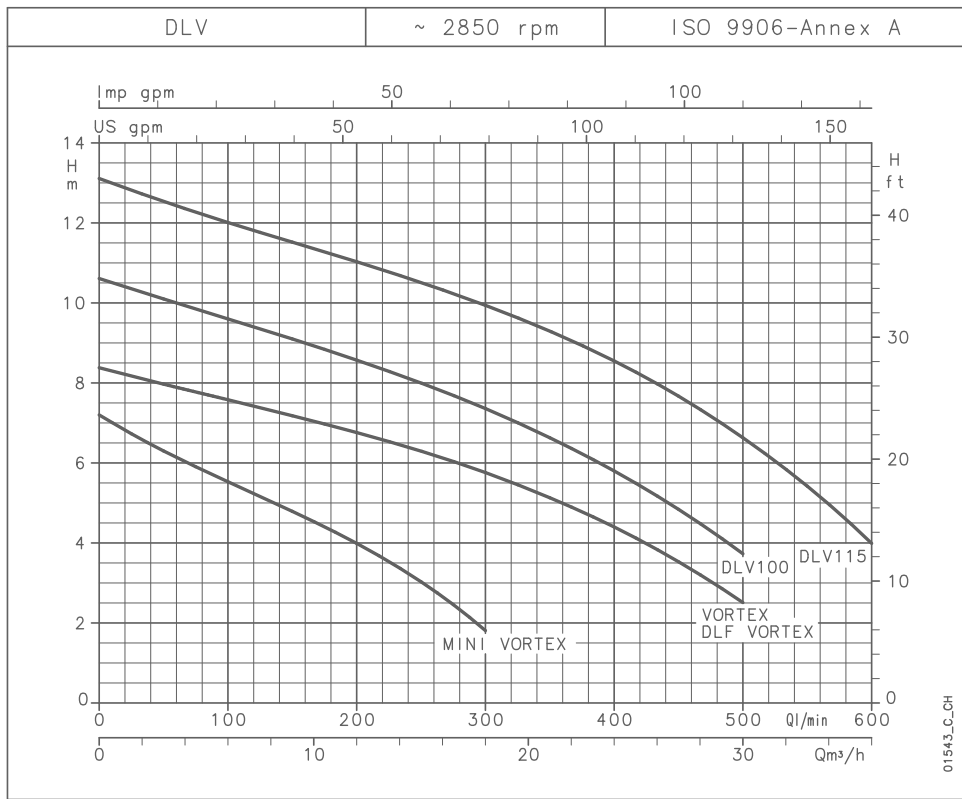
PUMP TYPE	ABSORBED POWER*		CAPACITOR	PUMP TYPE	ABSORBED POWER*		ABSORBED CURRENT*	ABSORBED CURRENT*
	SINGLE-PHASE	kW			A	THREE-PHASE		
DLM80-DLFM80	0,79	3,91	25	DL80-DLF80	0,8	-	2,09	
DLM90-DLFM90	0,89	4,27	25	DL90-DLF90	0,92	3,81	2,2	
-	-	-	-	DL105-DLF105	1,43	4,66	2,69	
DLM109	1,55	6,87	35	DL109	1,54	5,44	3,14	
-	-	-	-	DL125	2,14	6,58	3,8	

*Maximum values within operating range.

dl-2p50-en_b_te

DLV SERIES

Operating characteristics at 50 Hz, 2 poles



DLV SERIES

Hydraulic performance table

PUMP TYPE	RATED POWER		Q = DELIVERY												
			l/min	50	100	150	200	250	300	350	400	450	500	600	
			m ³ /h	3	6	9	12	15	18	21	24	27	30	36	
	kW	HP	H = TOTAL HEAD METRES COLUMN OF WATER												
MINI VORTEX(M)	0,6	0,8	7,2	6,3	5,5	4,8	4,0	3,0	1,8						
VORTEX-DLF VORTEX	1,1	1,5	8,4	8,0	7,6	7,2	6,8	6,3	5,8	5,1	4,4	3,5	2,5		
DLV(M) 100	1,1	1,5	10,6	10,1	9,6	9,1	8,6	8,0	7,4	6,6	5,8	4,8	3,7		
DLV 115	1,5	2	13,1	12,5	12,0	11,5	11,0	10,5	9,9	9,3	8,5	7,7	6,6	4,0	

These performances are valid for liquids with density $\rho = 1,0 \text{ kg/dm}^3$ and kinematic viscosity $\nu = 1 \text{ mm}^2/\text{s}$.

dlv-2p50-en_b_th

Electrical data

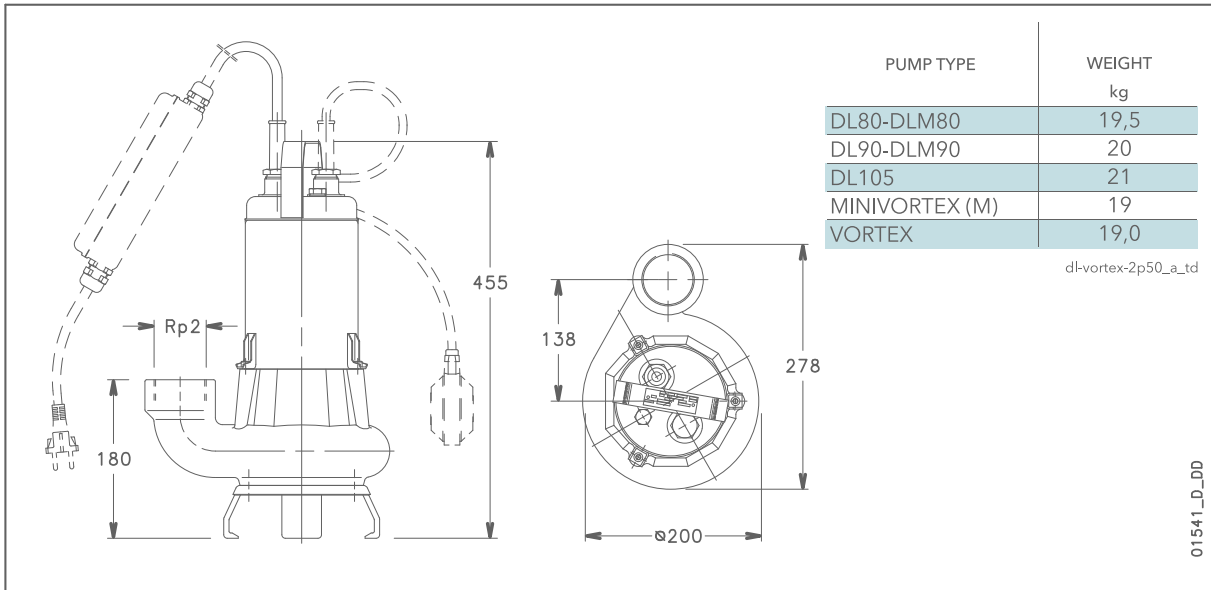
PUMP TYPE	SINGLE-PHASE			PUMP TYPE	THREE-PHASE		
	ABSORBED POWER*	ABSORBED CURRENT*	CAPACITOR		ABSORBED POWER*	ABSORBED CURRENT*	ABSORBED CURRENT*
	kW	220-240 V A	$\mu\text{F} / 450 \text{ V}$		kW	220-240 V A	380-415 V A
MINI VORTEX M	1,05	4,82	25	MINI VORTEX	1,10	-	2,36
-	-	-	-	VORTEX-DLF VORTEX	1,66	5,11	2,95
DLVM100	1,64	7,30	35	DLV 100	1,65	5,63	3,25
-	-	-	-	DLV 115	2,25	6,81	3,93

*Maximum values within operating range.

dlv-2p50-en_b_te

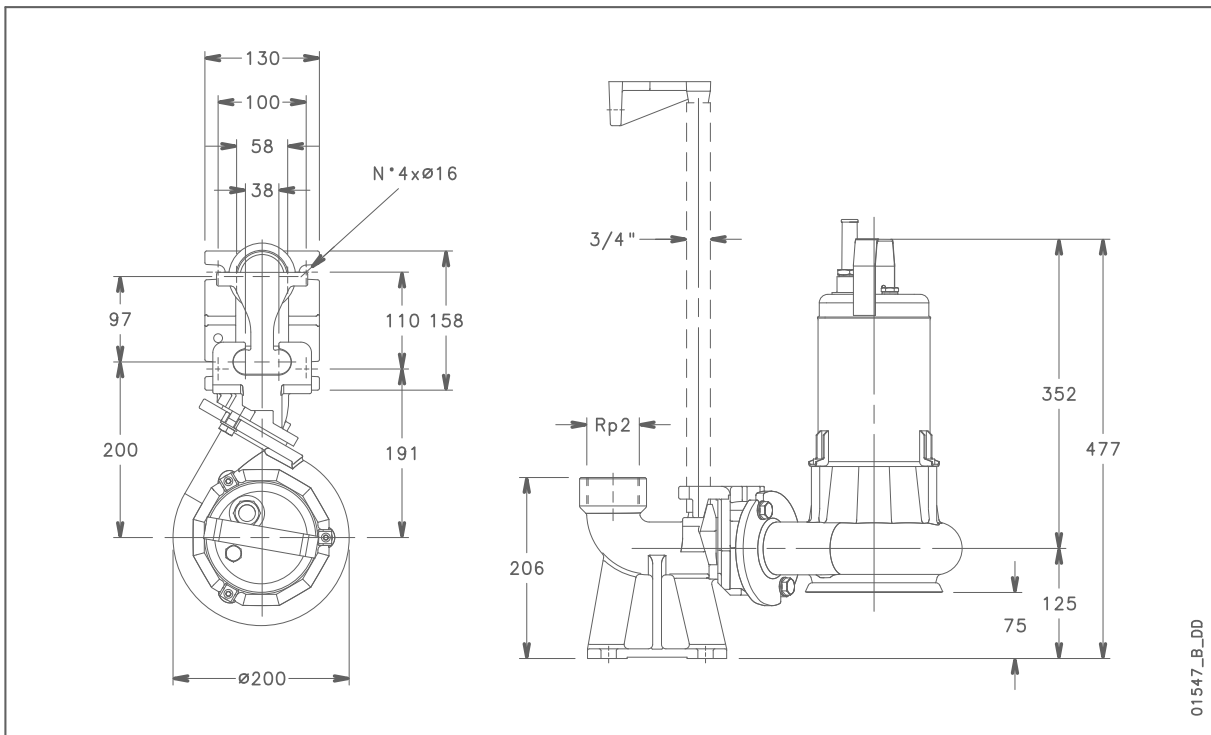
DL - VORTEX SERIES

Dimensions and weights



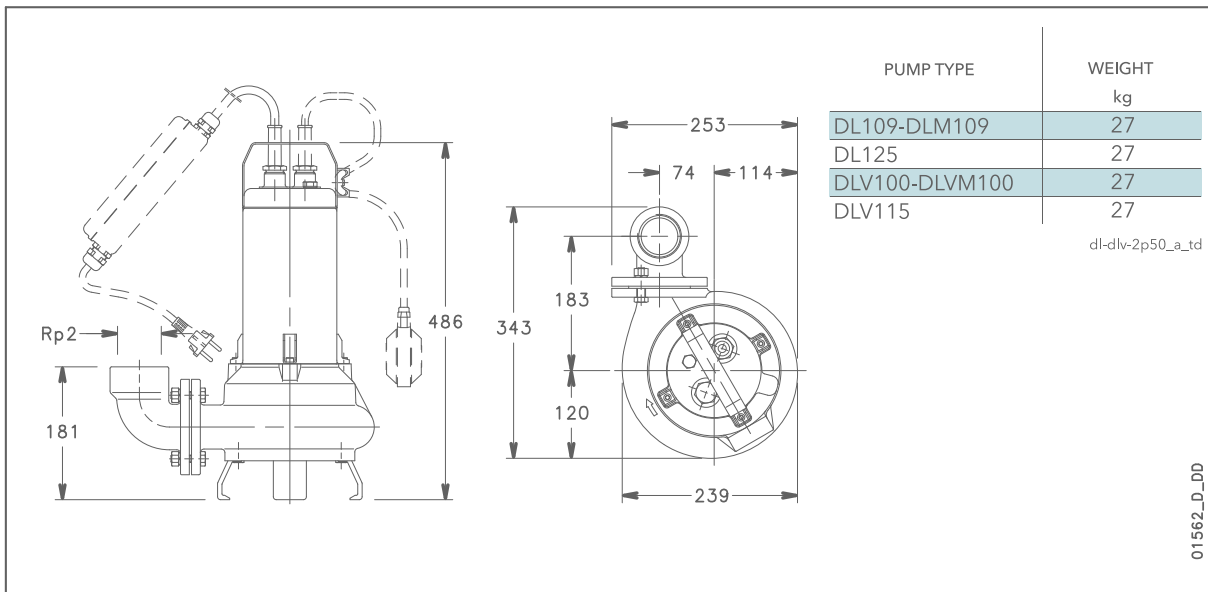
DLF SERIES

Installations examples



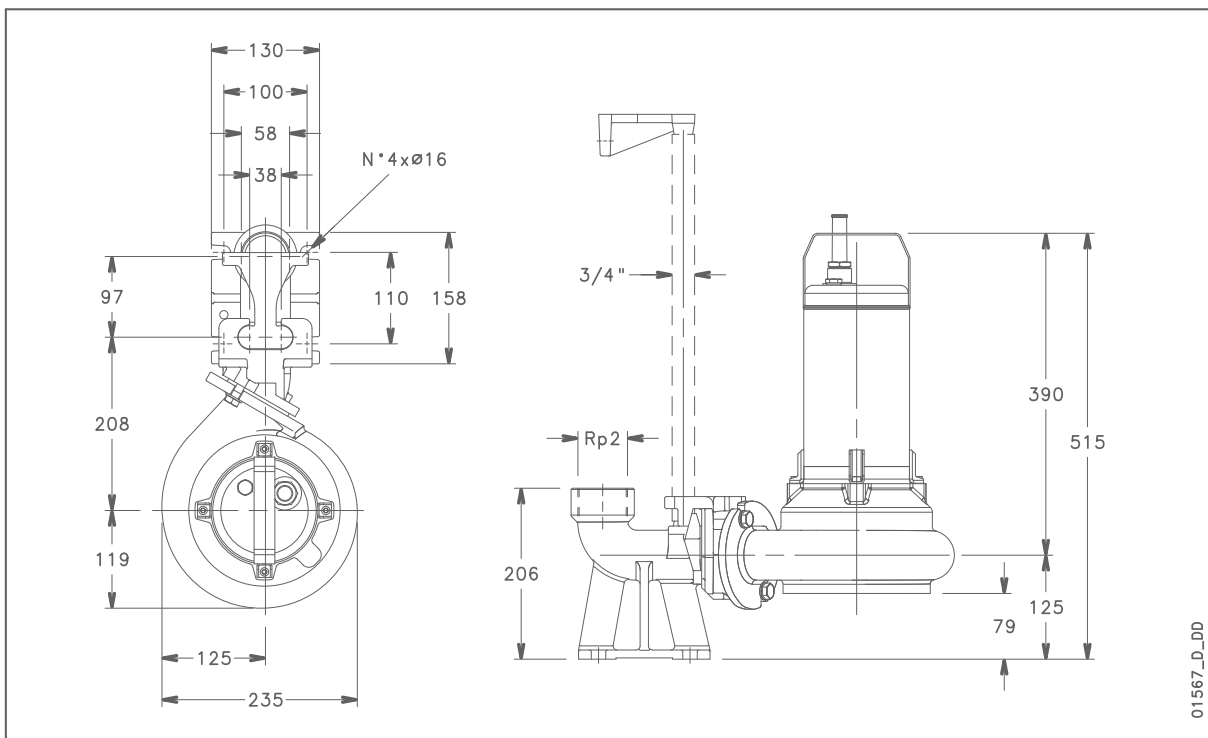
DL - VORTEX SERIES

Dimensions and weights



DL - VORTEX SERIES

Installations examples



Xylem Water Solutions India Pvt. Ltd.

India Head Office: Mumbai
Tel: +91 22 4037 0370
Fax: +91 4037 0371

Registered Office, Factory
and RD&E: Vadodara
Tel: +91 2667 265800
Fax: +91 2667 265802

www.xyleminc.com / www.xylemindia.in

Chennai Office
Tel: +91 44 4043 5555
Fax: +91 44 4043 5550

Delhi Office
Tel: +91 11 4555 2806
Fax: +91 11 2519 5007

Bengaluru Office
Tel: +91 80 4281 6800
Fax: +91 80 4281 6801

Pune Office
Tel: +91 20 4660 8200

Email: indiasales@xyleminc.com, customerservicesindia@xyleminc.com

The specifications and features may change before prior notice.