



Fluorolined
Equipment Pvt.Ltd

™

PLM Series

ISO 2858 Polypropylene Mechanical Seal Pumps

MOC: PP-H & GFRPP



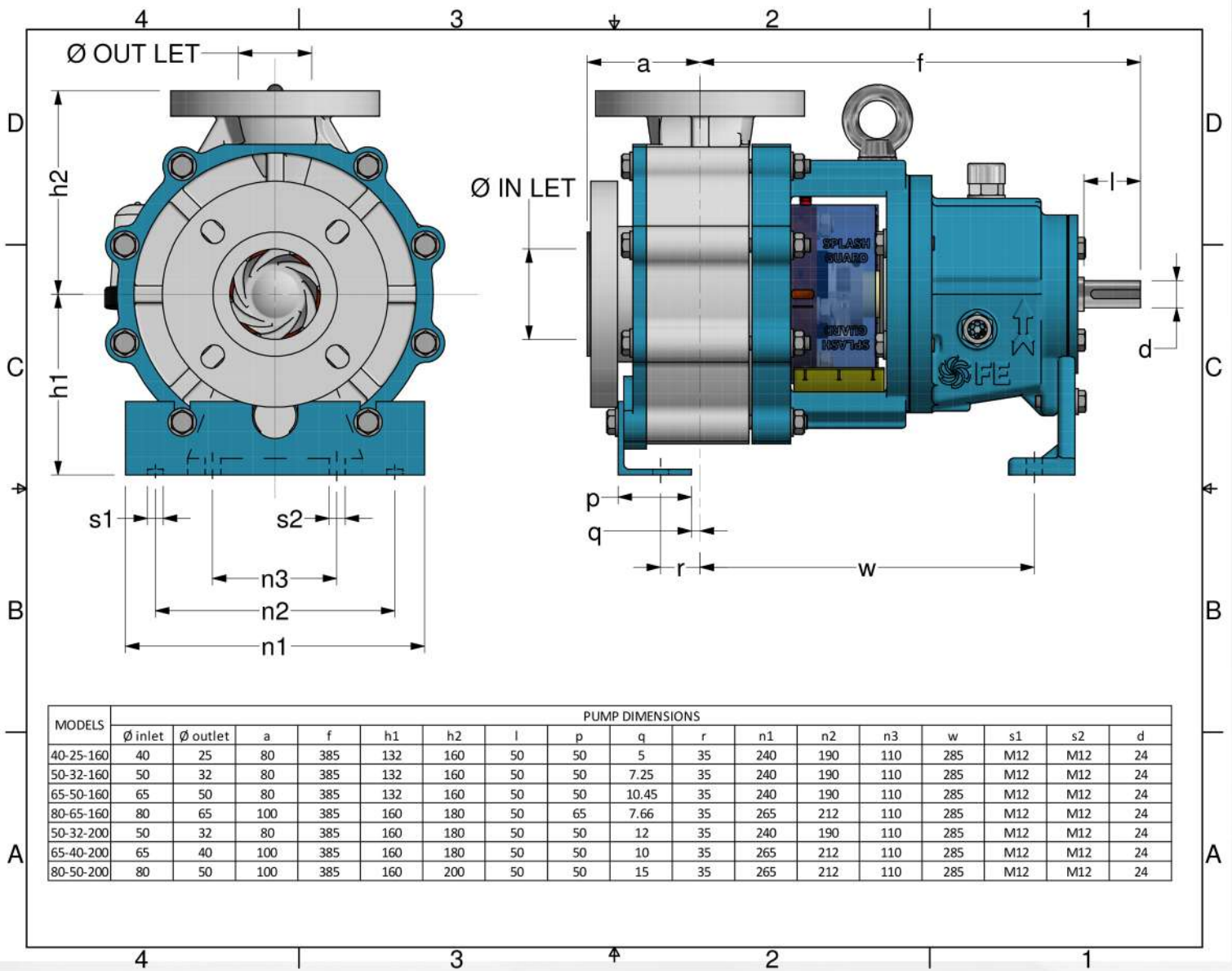
Salient Features

- ✓ High Walled Thickness PP Wet Ends Enduring Longer Life in Acids.
- ✓ High Efficient ISO 2858 Dimensioned Pumps.
- ✓ Semi-Open impeller design for better passage of slurries.
- ✓ Lower Stiffness ratio for longer seal life in Longer MTBF.
- ✓ Affordable, Maintenance friendly and Most Parts interchangeable leads to Lesser Inventory at Client's end.

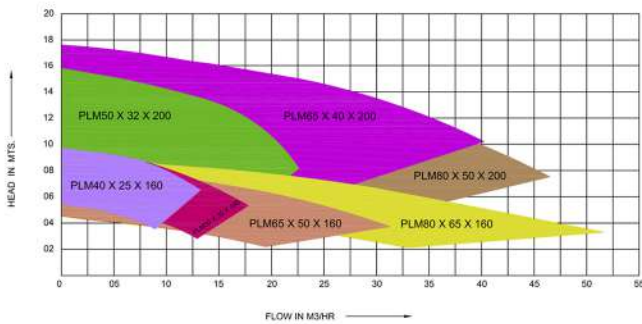
Applications

- ✓ Steel Pickling Plants, Mining , Fertilizers & Aluminium Industries, Acid Regeneration Plants (ARP) & Pesticide and Insecticide Plants.
- ✓ Pharmaceuticals and Bulk Drugs. Caustic Chlorine Plants.
- ✓ Industrial Waste Water Treatment (ETP) & Scrubber recirculation.
- ✓ Electroplating
- ✓ Power Plants
- ✓ Auto Paint Shops
- ✓ Chlorinated Parafin Wax (CPW) Industries

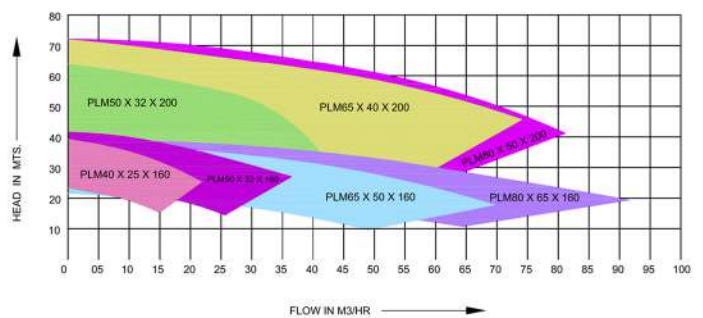
ISO Pump Dimensions



PLM PUMPS PERFORMANCE CHARACTERISTICS AT 1440 RPM



PLM PUMPS PERFORMANCE CHARACTERISTICS AT 2900 RPM



Fluorolined
Equipment Pvt.Ltd

TM

Works:

Fluorolined Equipment Pvt. Ltd.
Plot No.727 & 728, Phase II, G.I.D.C., Gundlav, Dist. Valsad,
Gujarat. INDIA
Phone: +91-2632-236701 Telefax: +91-2632-236464
Email: factory@fluorolined.co.in

Office:

2nd Floor, 3- Hind Service Industrial Estate,
Shivaji Park, Mumbai - 400028. INDIA
Phone: +91-22-24460630, +91-22-24460631, +91-22-32403208
Fax: 022-24440397 Website: www.fluorolined.co.in
Email: office@fluorolined.co.in